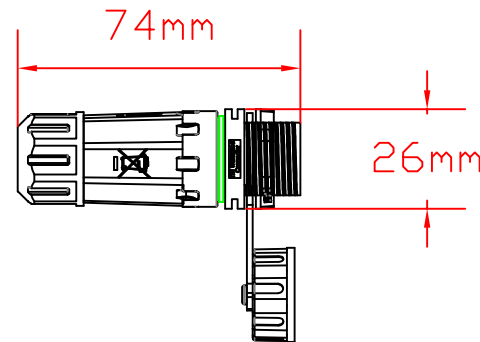
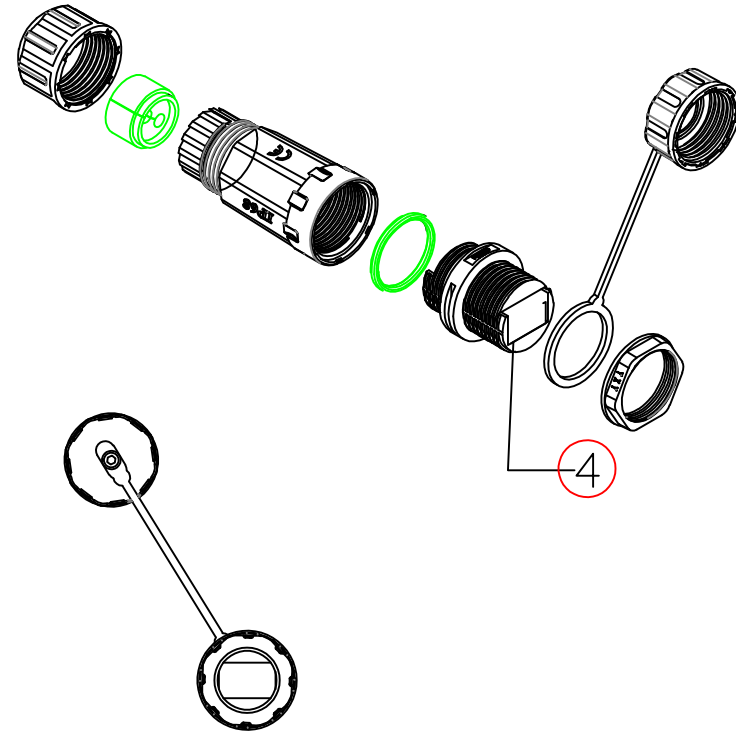
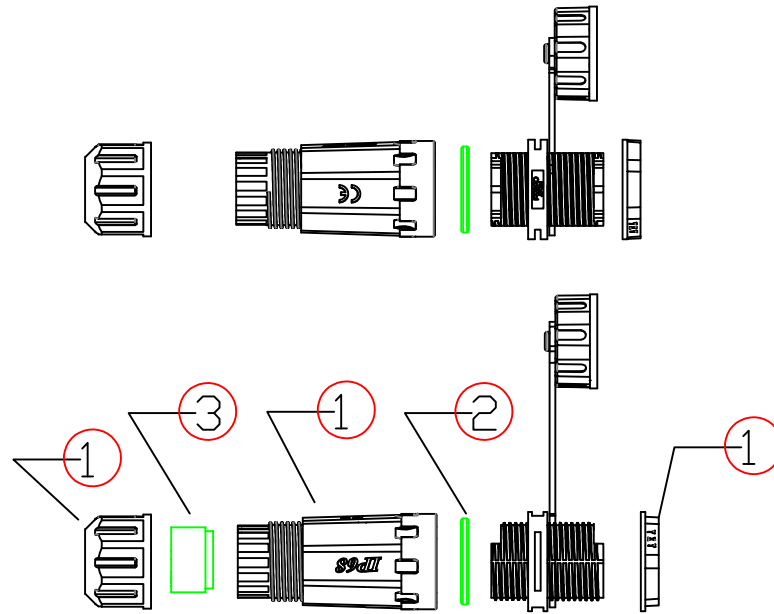


M20
IP68



P1 — P2
1 — 1

④	Varies - Accepts (SC Footprint) LC Duplex, SC Simplex, and MPO/MTP Fiber Optic Couplers	1pcs
③	O-type silicone ring	4pcs
②	Circular rubber ring	2pcs
①	NyLon PA66	

A	FRIST EDITION	ZP	2017/3/30										
REV.	DESCRIPTION	C.N.	DATE										
<small>THESE DRAWINGS AND SPECIFICATIONS ARE THE PROPERTY OF WIRETEK COMPUTER LIMITED AND SHALL NOT BE REPRODUCED COPIED OR USED IN ANY MANNER WITHOUT THE PRIOR WRITTEN CONSENT OF WIRETEK COMPUTER LIMITED.</small>		QuickTrex® Premium Outdoor Harsh Environment Waterproof IP68 Rated and High Performance PA66 Thermoplastic Panel-Mount Bulkhead LC, SC, or MTP/MPO Fiber Optic Coupler w/ Dust Cap and Lanyard - Compatible w/ (Duplex) 2 x 1.5 - 4.5 mm Cable OD											
<small>UNLESS OTHERWISE SPECIFIED: DIMENSIONS ARE IN MILLIMETERS ANGULAR TOLERANCE: ±1.0°</small>		PN: QT-OHE-IP68-BHS-2A-1545-XX											
<table border="1"> <thead> <tr> <th>DIMENSIONS</th> <th>TOLERANCE</th> </tr> </thead> <tbody> <tr> <td>0.00 TO 30.00mm</td> <td>±0.10mm</td> </tr> <tr> <td>30.01 TO 80.00mm</td> <td>±0.13mm</td> </tr> <tr> <td>80.01 TO 150.00mm</td> <td>±0.15mm</td> </tr> <tr> <td>150.01mm</td> <td>±0.20mm</td> </tr> </tbody> </table>		DIMENSIONS	TOLERANCE	0.00 TO 30.00mm	±0.10mm	30.01 TO 80.00mm	±0.13mm	80.01 TO 150.00mm	±0.15mm	150.01mm	±0.20mm	CHKD. T.D DR. B.B.	CONF. A.D. APPD. T.D.
DIMENSIONS	TOLERANCE												
0.00 TO 30.00mm	±0.10mm												
30.01 TO 80.00mm	±0.13mm												
80.01 TO 150.00mm	±0.15mm												
150.01mm	±0.20mm												
MATERIAL MATERIAL FINISH FINISH		DOC # QT-OHE-IP68-BHS-2A-1545-V1											
SCALE	SHEET 1 / 1	UNIT MM	SIZE A4 REV. A										